

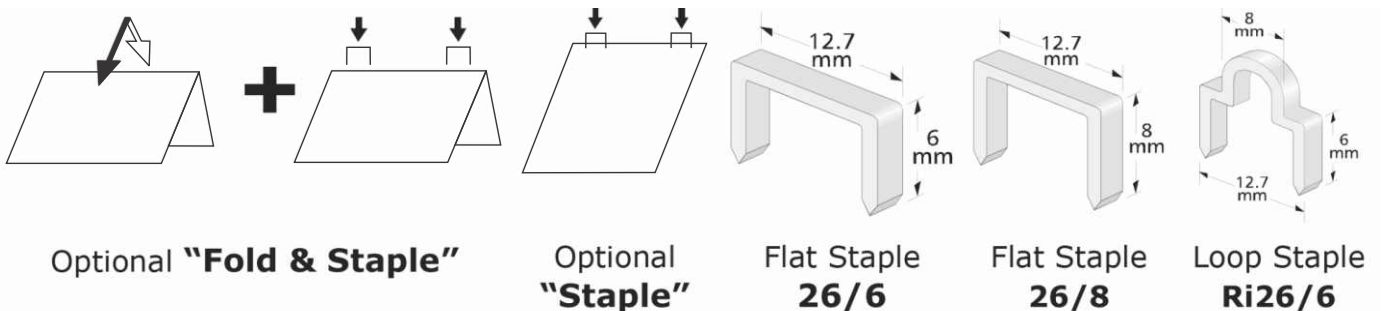
Semi-Automatic Booklet Maker

- **Easy to operate:** No warm-up time. Simply insert the sheets, and machine will staple & fold it into booklet within seconds!
- **Multi-functional:** Choose from Fold & Staple, Fold only or Staple only. Side and corner stapling also available.
- **Versatile:** Makes booklets from all common paper sizes, including Letter, A4, A3, Legal or 11 x 17" sheets.
- **Precise:** Built-in LCD counter gives you precise control of your job progress. Clear window allows you to monitor the operation easily.
- **Superior design:** Achieve professional results in-house.
- **Quick & easy set-up:** No tools required to switch between booklet sizes, operation modes (manual / automatic), stapler head locations (5 total), operation functions (booklet-making or just folding or just stapling).
- **Convenient:** Use regular chisel-point staples (up to 5 in a booklet) or loop staples. "NO STAPLE" warning light indicates when staples have run out.
- **Powerful:** Up to 16 sheets of 75 g./m² paper at a time (64 pages).



Type #21188

Staple Type	26/6, 26/8, Ri26/6
Max. Number of Sheets	20 Sheets (70GSM)
Sheet Dimension	Min.A5 - Max.A3
Booklet Dimension	Min.A6 - Max.A4
Staple Heads	Standard -2/Max. -4
Staple Heads Distance	80mm & 180mm
Staple Capacity	Standard: 2x210 staples Max: 4x210 staples
Production Speed	Up to 150 booklets per hour
Voltage Type	115Vac/60Hz or 230Vac/50Hz
Machine Dimension	58(W) x 52(L) x 39(H)cm
Weight	35kgs/39kgs



Optional **"Fold & Staple"**

Optional **"Staple"**

Flat Staple **26/6**

Flat Staple **26/8**

Loop Staple **Ri26/6**

****Staple Type: Use only CS Staples as other staples may damage the stapling head or lead to bad results****

- **EASY TO OPERATE** No warm-up time. Simply insert the sheets, and machine will staple & fold it into booklet within seconds!
- **QUICK & EASY SET** No tools required to switch between booklet sizes, operation modes (manual / automatic), stapler head locations (4 total), operation functions (booklet-making or just folding or just stapling).
- **CONVENIENT** Use regular chisel-point staples (up to 4 in a booklet) or loop staples. "No Staple" warning light indicates when staples have run out.
- **MULTI-FUNCTIONAL & VERSATILE** Choose from Fold & Staple, Fold only or Staple only. Side and corner stapling also available. Makes booklets from all common paper sizes, including Letter, A4, A3, Legal or 11 x 17" sheets.
- **PRECISE** Built-in LCD counter gives you precise control of your job progress. Clear window allows you to monitor the operation easily.